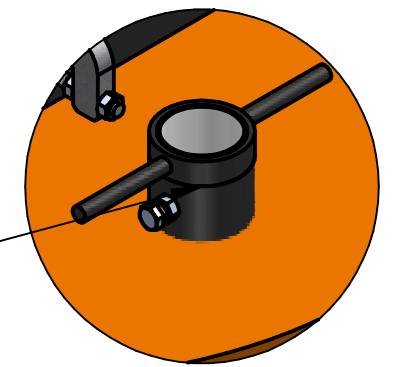
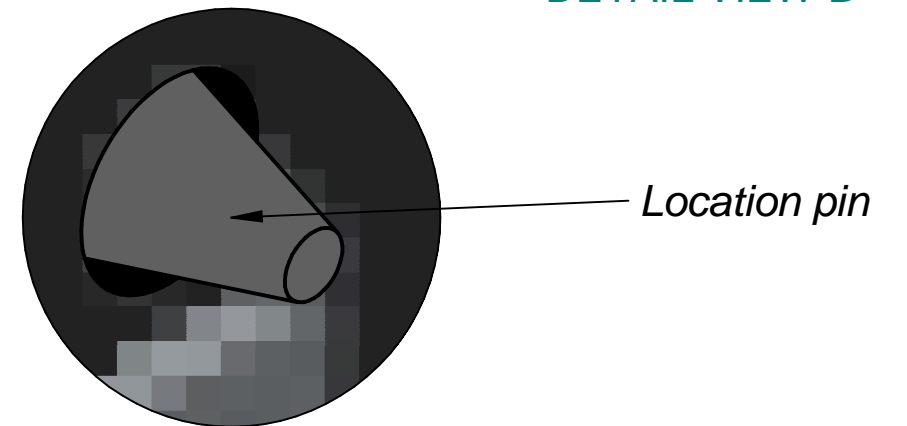


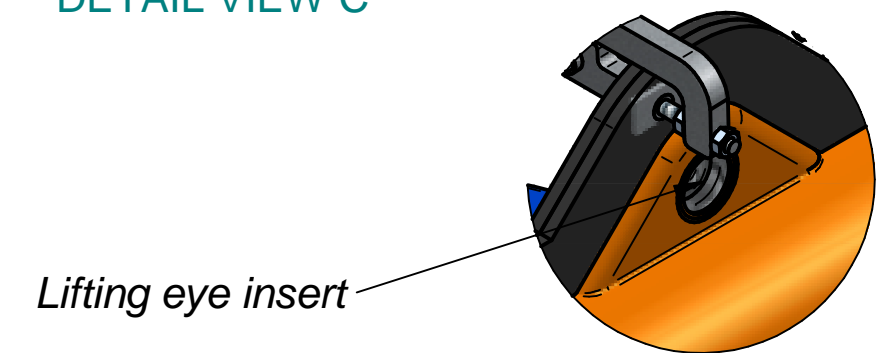
DETAIL VIEW A



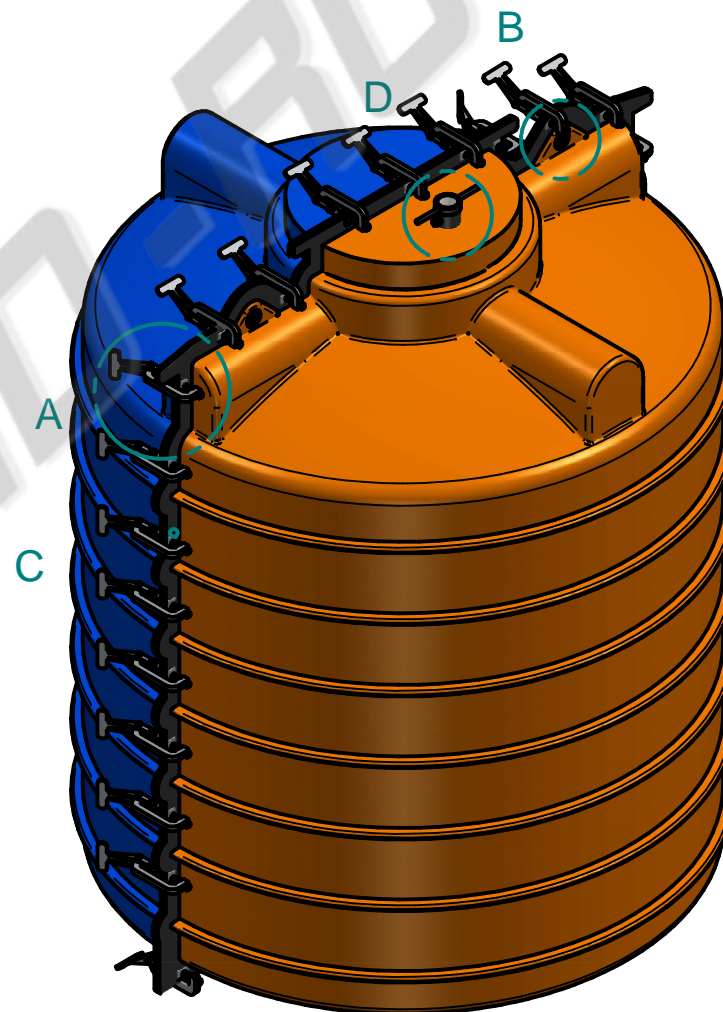
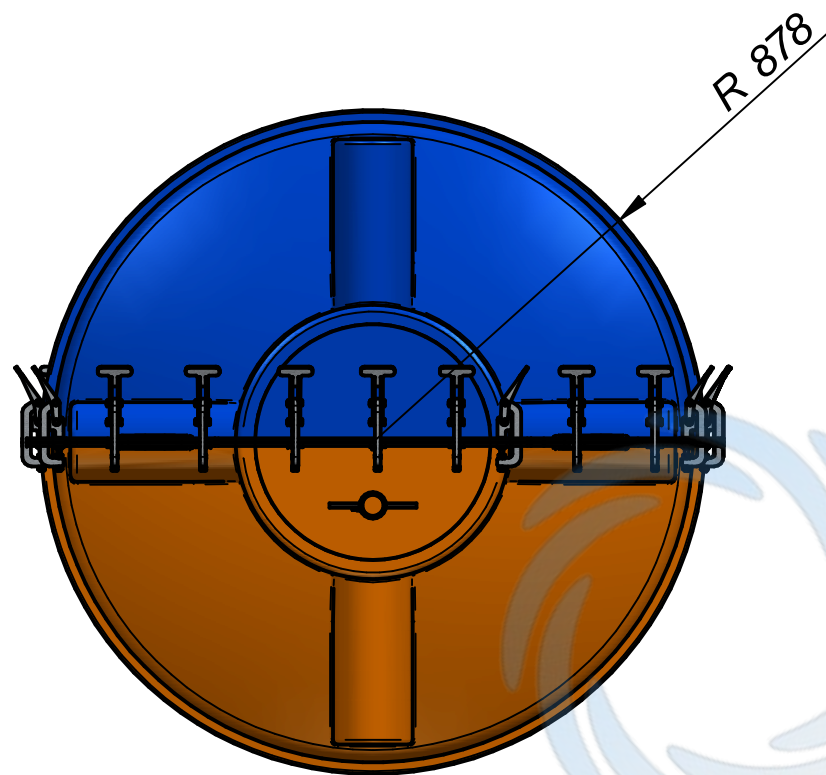
DETAIL VIEW B



DETAIL VIEW C



DETAIL VIEW D



Weight: 431,29 kg

3500 Vertical Mold